



Bathing Excellence Created By Craftsmen



MODEL 116036 LADA or RADA

Smooth Wall Gelcoat

ADA/ANSI compliant when installed according to guidelines and fully equipped with grab bars, seat, *pressure balancing mixing valve, hand-held shower head with slide bar, vacuum breaker, and 69" hose.

* Valve and hand-held shower head with slide bar will be provided but not mounted

OTHER VARIATIONS:

MODEL 116036 L or R – Reinforced only

MODEL 116036 LB or RB – Reinforced with (5) bars only

MODEL 116036 LBS or RBS – Reinforced with (5) bars and seat only

Custom ADA and/or Non Compliant accessories and options available upon request.

LIBERTY LINE

Bathing Excellence Created By Craftsmen

PRODUCT CUT SHEET

MODEL 116036 LADA or RADA

Dimensions

WIDTH O.D.	59 3/4"
DEPTH O.D.	36"
HEIGHT O.D.	77 3/4"
Dimension Tolerance	+/- 1/4"

Features

One piece construction
Walls reinforced with OSB
Smooth Walls
Slip Resistant, Textured Bottom
ADA Compliant

Approvals

We employ independent testing to certify that products meet the requirements of ANSI Z124.1.2, ASTM F462, FHA/HUD-UM-73a, ANSI 117.1, & ADA.

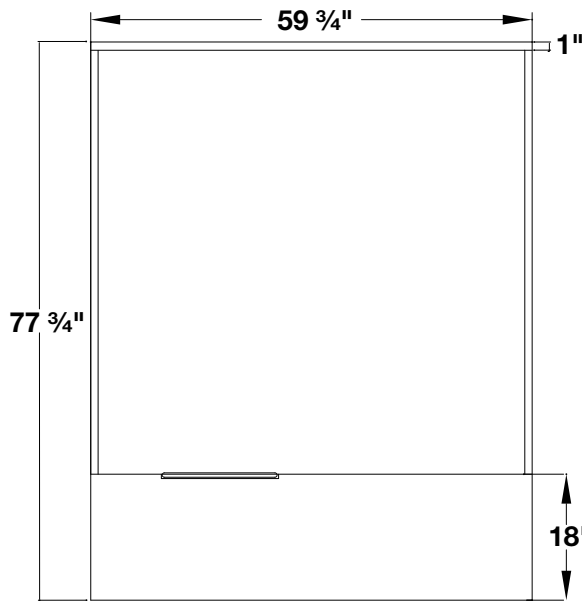
Installation Notes

Refer to installation instructions included with Bathing fixture before beginning installation.

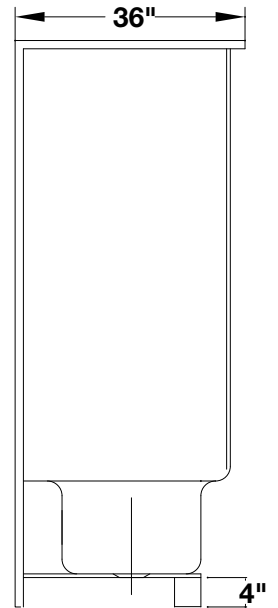
Fixture is not drilled for supply fittings. Shimming may be required to level the fixture.

Important

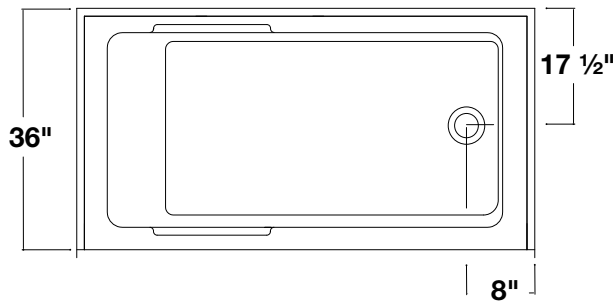
*Valve, Hand-Held Shower & slide guide shall be provided by Manufacturer for field installation to ADA guidelines. Custom ADA &/or non-compliant accessories and options available upon request.



FRONT VIEW



SIDE VIEW

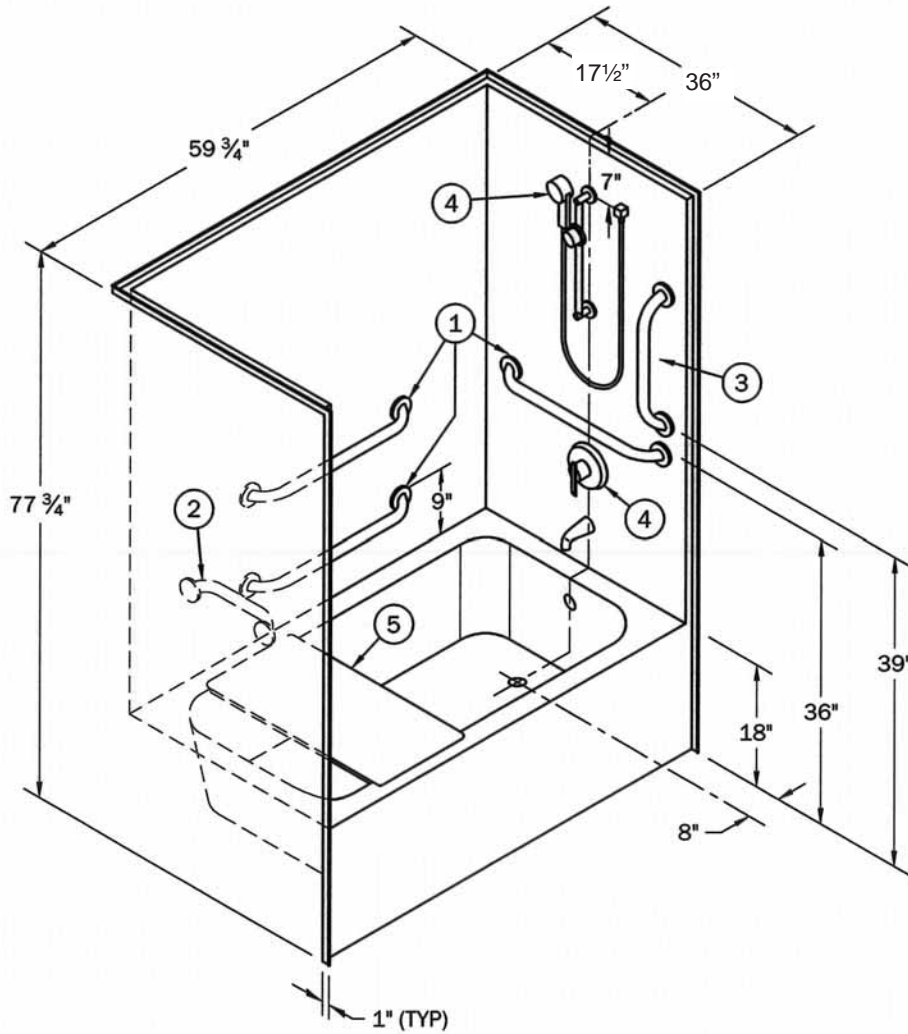


TOP VIEW



1610 James P. Rodgers Drive, Valdosta, Georgia 31601, 1 (800) 343-8295
510 East Jones Street, Wilson, NC, 27893, 1 (800) 775-8827

MODEL 116036 LADA or RADA



RIGHT HAND VERSION (116036 RADA) SHOWN

RECOMMENDED ACCESSORIES

- | | | | |
|-------------------|-------------------|---------------------------|-----------|
| 1. GRAB BAR (24") | PP10520S (3 REQD) | 4. VALVE & SLIDE BAR PKG. | PPVSB5000 |
| 2. GRAB BAR (12") | PP10500S | 5. REMOVABLE SEAT | PP11887 |
| 3. GRAB BAR (18") | PP10510S | | |

LIST PRICE

- | | | | | |
|----------------------|--------------------------------------|----------------|--------------------------------------|----------------|
| \$ <u>\$1,949.00</u> | <input type="checkbox"/> 116036 LADA | Quantity _____ | <input type="checkbox"/> 116036 RADA | Quantity _____ |
| | (Complete as above) | | (Complete as above) | |
| \$ <u>\$1,451.00</u> | <input type="checkbox"/> 116036 LBS | Quantity _____ | <input type="checkbox"/> 116036 RBS | Quantity _____ |
| | (5 bars & seat only) | | (5 bars & seat only) | |
| \$ <u>\$1,051.00</u> | <input type="checkbox"/> 116036 LB | Quantity _____ | <input type="checkbox"/> 116036 RB | Quantity _____ |
| | (5 bars only) | | (5 bars only) | |

To create your own or add/change accessories use next page.



www.libertylineada.com

SIGNATURES FOR APPROVAL:

CUSTOMER NAME: _____

ORDERED BY: _____

TITLE: _____

DATE: _____

DWG NAME:
116036

DRAWN BY:
WB

DATE:
8/10/11

REV:
REL

LIST PRICE
\$825.00

116036L QUANTITY ____
(Reinforced Only)

116036R QUANTITY ____
(Reinforced Only)

LIST PRICE	TUB OPTIONS	QUANTITY
\$ 60.00	PP10520S 24" SMOOTH SS GRAB BAR	_____
\$ 50.00	PP10500S 12" SMOOTH SS GRAB BAR	_____
\$ 56.00	PP10510S 18" SMOOTH SS GRAB BAR	_____
\$498.00	PPVSB5000 VALVE & SLIDE BAR PACKAGE	_____
\$460.00	PP11887 REMOVABLE PHENOLIC SEAT (FOR GELCOAT MODELS)	_____
\$460.00	PP11883 PERMANENT PADDED WHITE SEAT (FOR GELCOAT MODELS)	_____
\$400.00	PP43000 REMOVABLE PHENOLIC SEAT (FOR ACRYLIC MODELS)	_____
\$ 42.00	PP1000 RECESSED STAINLESS STEEL SOAP DISH	_____
\$ 60.00	PP12905 STAINLESS STEEL SHOWER ROD 60" (COMES WITH RINGS AND FLANGES)	_____
\$ 80.00	PP12902 WHITE SHOWER CURTAIN 72" X 72"	_____
\$198.00	PP11910 CHROME DOME LIGHT (FOR ACRYLIC MODELS)	_____

COLORS

All units come standard in white and bone.

GRAB BARS

All pricing refers to smooth stainless steel grab bars, for powder coated, textured, or bar configurations not listed here, please contact Sales Department.

TERMS & CONDITIONS

- 1) Purchase orders for any configuration of grab bars not contained in this literature must be accompanied by a DRAWING signed by both the customer and factory sales personnel. All sales on these orders are FINAL.
NO RETURNS!
- 2) Authorized returns for normal products will carry a 25% Restock Charge and must be pre-approved by Sales Department. Unit will also be inspected by quality control before credit is issued.
- 3) Possession of this price list does not constitute an offer to sell. Prices and specifications may change without notice.
- 4) Acceptance, shipment, or delivery of any order is subject to approval of the credit department. Standard terms are 2%, 10 days, net 30.
- 5) We warranty all merchandise for a period of three (3) years from the date of initial acceptance of the product by the contractor or owner against defect in materials and workmanship. Please contact Sales Department for copy of actual warranty.
- 6) Allow 3 to 4 weeks for shipment of your order. Possibly longer for special orders. Anything less than truckload order may require additional charges for crating and freight. Contact Sales Department with any questions.



www.libertylineada.com

SIGNATURES FOR APPROVAL:

CUSTOMER NAME: _____

ORDERED BY: _____

TITLE: _____

DATE: _____